

Brandt

FR GUIDE D'INSTALLATION
EN GUIDE TO INSTALLATION
DE EINBAUANLEITUNG
NL INSTALLATIEGIDS
PT MANUAL DE INSTALAÇÃO
DA INSTALLATIONVEJLEDNING

Four
Oven
Backofen
Oven
Forno
Ovn



1 / NOTICES TO THE USER	
• Safety instructions _____	4
• Caring for the Environment _____	5
2 / INSTALLING YOUR APPLIANCE	
• Choice of location _____	6
• Build-in _____	6
• Electrical connection _____	7
• Changing the power cable _____	8
3 / DESCRIPTION OF YOUR APPLIANCE	
• Accessories _____	9
4 / CARING FOR AND CLEANING YOUR APPLIANCE	
• Cleaning the outer surfaces _____	11
• Cleaning the door _____	11
• Self-degreasing catalytic _____	13
• Changing the catalytic panels	
Dismantling the wire supports _____	13
• What is pyrolysis? _____	14
• In what situations should pyrolysis be used? _____	14
5 / ADJUSTING YOUR APPLIANCE	
• Replacing the oven lamp _____	15
6 / TROUBLESHOOTING _____	16
7 / AFTER-SALES SERVICE _____	17

**Important**

Keep this user guide with your appliance. If the appliance is ever sold or transferred to another person, ensure that the new owner receives the user guide. Please become familiar with these recommendations before installing and using your oven. They were written for your safety and the safety of others.

• SAFETY INSTRUCTIONS

- This oven was designed for use by private individuals in their homes. It is intended solely for cooking foodstuffs. This oven does not contain any asbestos-based components.
- Please make sure children do not play with the appliance.
- When you receive the appliance, unpack it or have it unpacked immediately. Give it an overall inspection. Make note of any concerns or reservations on the delivery slip and make sure to keep a copy of this form.
- Your appliance is intended for standard household use. Do not use it for commercial or industrial purposes or for any other purpose than that for which it was designed.
- Do not modify or attempt to modify any of the characteristics of this appliance. This would be dangerous to your safety.
- WARNING: accessible parts may be hot when in use. It is advisable to keep small children away from the appliance.
- Never pull your appliance by the door handle.
- Before using your oven for the first time, heat it while empty for approximately 15 minutes. Make sure that the room is sufficiently ventilated. You may notice a particular odour, or a small release of smoke. All of this is normal.
- WARNING: accessible parts may become hot when the grill is used. It is advisable to keep children away from the appliance.
- When in use, the appliance becomes hot. Be careful not to touch the heating elements located inside the oven.
- When placing dishes inside or removing them from the oven, do not place your hands close to the upper heating elements and use heat-protective kitchen gloves.
- During pyrolysis, the exposed surfaces become hotter than during normal use. It is advisable to keep small children away from the oven.
- Before beginning a pyrolysis cleaning cycle in your oven, remove all parts of your grids, trays and accessories and remove major spill residue. During pyrolysis, exposed surfaces become hotter than during normal use. It is advisable to keep small children away from the oven.
- At the end of cooking, do not pick up oven or grill items (grid, rotisserie,...) with your bare hands.
- Never place aluminium foil directly in contact with the floor of the oven (see the chapter on oven description), as accumulated heat may cause deterioration of the enamel.
- Do not place heavy weights on the oven door when open, and make sure that children cannot climb or sit on it.
- The oven must be turned off when cleaning inside the oven.
- This appliance is not intended to be used by persons (including children) with reduced physical, sensory or mental abilities, or persons lacking experience or awareness, unless using it with the help of a person responsible for their safety, or under supervision and with prior instruction in its use.
- In addition to the accessories supplied with your oven, only use dishes capable of withstanding high temperatures (follow the manufacturer's instructions).
- After using your oven, make sure that all the controls are in their stop position.
- Do not use your oven as a larder or to store any items after use.
- Never use steam or high-pressure devices to clean the oven (electrical safety requirement).

– ***(Depending on the model):*** For your safety, your oven is equipped with an AUTOMATIC STOP, if you forget to turn off your oven by mistake. After 23 hours and 30 minutes of continuous use, the AS (Automatic Stop) feature will be activated and your oven will turn itself off. AS or Auto Stop will be displayed instead of the time and a series of successive beeps will be emitted for a short time.

• CARING FOR THE ENVIRONMENT

– This appliance's packing materials are recyclable. Recycle them and play a role in protecting the environment by depositing them in local authority containers provided for this purpose.

– Your appliance also contains many recyclable materials. It is therefore marked with this logo to indicate that used appliances must not be mixed with other waste. Recycling of the appliances organised by your manufacturer will thus be undertaken in optimum conditions, in accordance with European directive 2002/96/CE relating to electrical and electronic equipment waste. Contact your local council or your retailer to find out the drop-off points for used appliances that are nearest to your home.

– We thank you for your help in protecting the environment.



Warning

Installation should only be performed by qualified installers and technicians.

This appliance complies with the following European directives:

- Low Voltage Directive 2006/95/CE for affixing the CE mark.

- Electromagnetic Compatibility Directive 89/336/CEE modified by directive 93/68/CEE for attaching the CE mark.

- CE regulation 1935/2004 concerning materials and objects intended for contact with food substances.

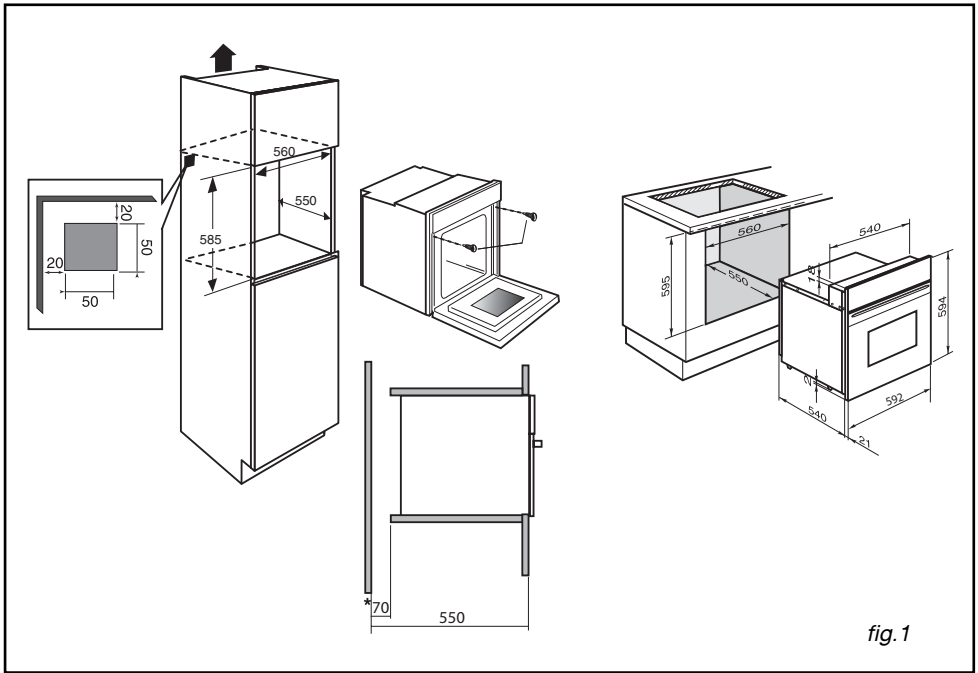


fig. 1

• CHOICE OF LOCATION

The above diagrams show the dimensions of a cabinet that will be able to hold your oven.

The oven can be installed under a work top or in a column of cabinetry (open* or closed) having the appropriate dimensions for built-in installation (see adjacent diagram).

Your oven has optimised air circulation that allows it to achieve remarkable cooking and cleaning results if the following guidelines are followed:

- Centre the oven in the cabinet so as to guarantee a minimum distance of 5 mm between the appliance and the cabinet beside it.
- The material or coating of the cabinet must be heat-resistant.
- For greater stability, attach the oven in the cabinet with two screws through the holes provided for this purpose on either side of the front inner panel (fig.1).

• BUILD-IN

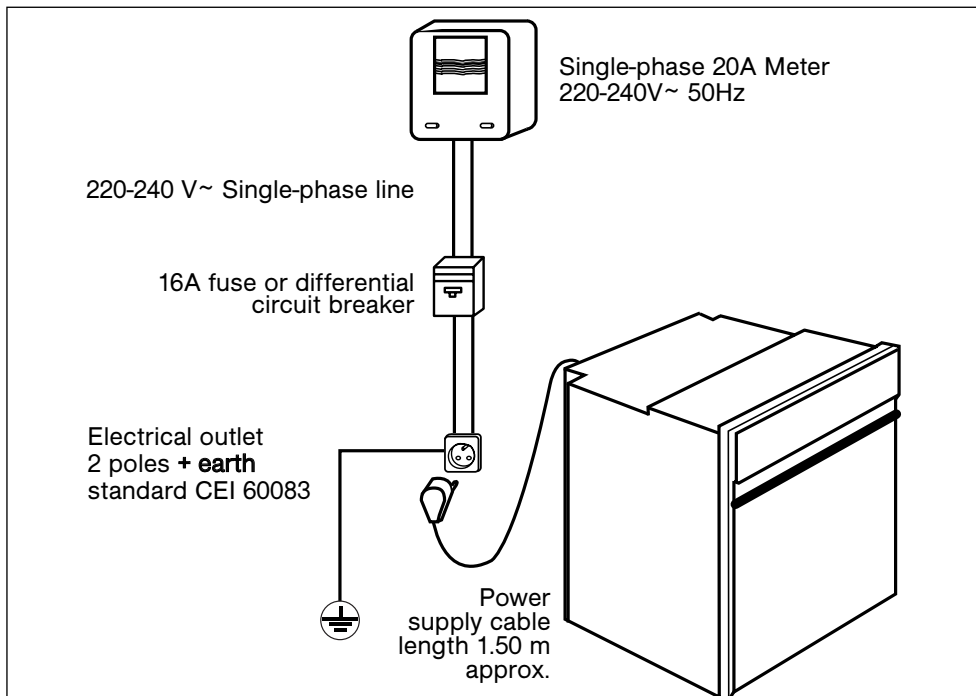
To do this:

- 1) Remove the rubber screw covers to access the mounting holes.
- 2) Drill a hole in the cabinet panel to avoid splitting the wood.
- 3) Attach the oven with the 2 screws.
- 4) Replace the rubber screw covers (they also absorb the shock caused by closing the oven door).

(* if the cabinet is open, its opening must be 70 mm (maximum).



Tip
To be certain that you have properly installed your appliance, do not hesitate to call on a household appliance specialist.



• ELECTRICAL CONNECTION

The appliance must be fitted correctly to guarantee electrical safety. During fitting and maintenance operations, the appliance must be unplugged from the electrical grid. Fuses must be switched off or removed.

The electrical connections are made before the appliance is installed in its housing.


Ensure that:

- the electrical installation has sufficient voltage,
- the electrical wires are in good condition,
- the diameter of the wires complies with the installation requirements.

Your oven must be connected with a (standard) power cable with 3 conductors of 1.5mm² (1 live + 1 neutral + earth) which must be connected to a 220-240V~ single-phase grid by means of a 1 live + 1 neutral + earth CEI 60083 standard power socket or via an all-poles cut-off device in compliance with the installation rules.



Warning

The safety wire (green-yellow) is connected to the appliance's  terminal and must be connected to the earth terminal of the electrical set-up.

You must enable the appliance to be disconnected from the supply network after installation.

Disconnection can be enabled by ensuring that there is an accessible power plug or by incorporating a switch into the fixed wiring in compliance with the installation rules.

The fuse in your set-up must be 16 amperes.

If the power cable is damaged, it should be replaced by the manufacturer, its after-sales service department or a similarly qualified person to avoid danger.

**Warning**

We cannot be held responsible for any accident resulting from an inexistent, defective or incorrect ground lead.

If the electrical installation at your residence requires any changes in order to hook up your Appliance, call upon a professional electrician.

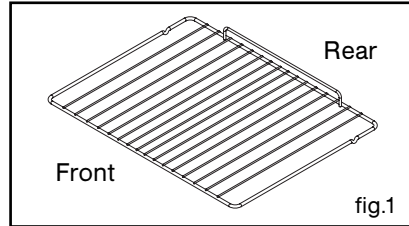
If the oven malfunctions in any way, unplug the appliance or remove the fuse corresponding to the sector there the oven is hooked up.

- **DESCRIPTION OF THE ACCESSORIES (depending on the model)**

- **Anti-rocking safety grid (fig.1)**

The grid can be used to hold all dishes and moulds containing foodstuffs to be cooked or browned.

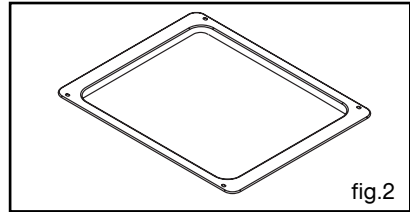
It can be used for barbecues (to be placed directly on the grid).



- **Multi-purpose dish (fig.2)**

It serves as a cake dish and has a sloped edge. It is used for cooking pastries such as cream puffs, meringues, cup cakes, puff pastry, etc.

Inserted under the grid, it catches barbecue juices and grease. It can also be used half-full of water for double-boiler cooking methods. Avoid placing roasts or meats directly in the dish because this is certain to cause significant spattering on the oven walls.



• ACCESSORIES (depending on the model)

• Turn spit

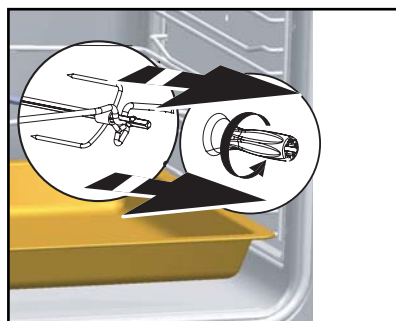
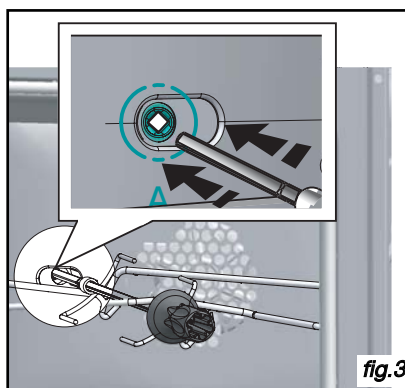
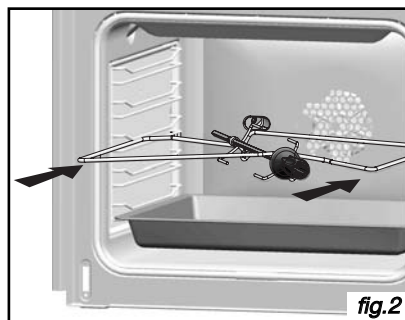
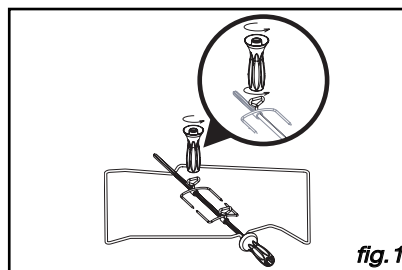
In order to use it:

- place the hollow dish on the grid on shelf support number 1 to catch the cooking juices or in the bottom of the oven if the item being roasted is too big.

- slide one of the forks onto the spit; skewer the piece of meat to be roasted; slide on the second fork; centre and tighten by screwing on the two forks using the handle (fig.1).

- place the spit in its cradle (fig.2).
- gently push to lodge the tip of the spit in the guide slot located at the back of the oven (fig.3).

- remove the handle by unscrewing, in order to be able to close the door (fig.4). After cooking, screw on the spit handle once again in order to remove the roast without burning yourself.



• **CLEANING THE OUTER SURFACES** (depending on the model)

To clean both the electronic programmer window and the oven door, use a window washing product applied to a soft cloth.

Do not use abrasive creams or scouring sponges.

• **CLEANING THE DOOR** (depending on the model)

• **Disassembling the door**



Warning

Before removing the glass, allow the appliance to cool down.

- Open the door completely and block it open using the two red stops (fig.1).

They are supplied with your machine in the plastic pack.

- Remove the first attached window as follows: Insert the two red stops in the **A** slots designed for this (fig.2).

Lever these parts to release the glass (fig.3).

- Clean the glass using a soft sponge and washing-up liquid.

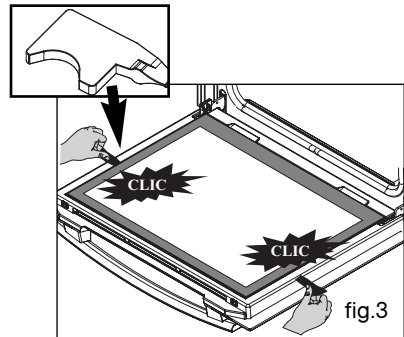
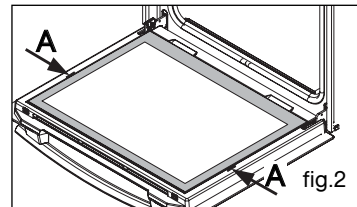
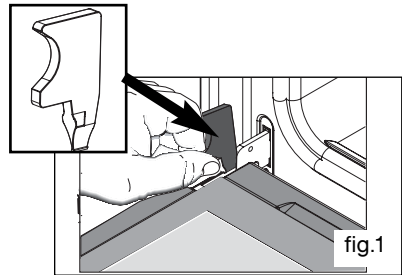
Do not immerse the glass in water.

Do not use abrasive creams or scouring sponges. Rinse with clean water and dry off with a lint-free cloth.



Warning

Do not use abrasive cleaning products or hard metallic scrapers for cleaning the oven's glass door, as they could scuff the surface and cause the glass to shatter.



- If necessary, remove the door's inner glass assembly. This assembly is composed of one or two sheets of glass (depending on model), each of which has a black rubber corner pad (fig.4).

- After cleaning, reposition the four rubber pads, taking care to follow the indications on the glass:

- * top left: L
- * top right: R

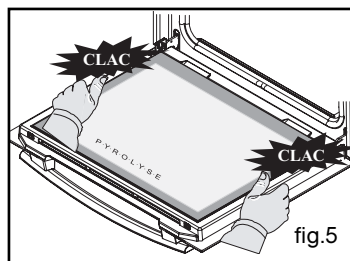
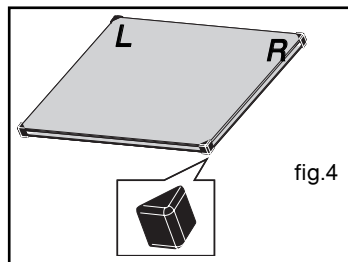
Place your inner glass assembly in the door so that L and R are located on the hinge side.

- If your oven is equipped with a single inner sheet of glass, it must be located as close as possible to the clipped glass.

- Clip in your last glass sheet by placing the indication "PYROLYSIS" so that it faces you (fig.5).

- Remove the red plastic stops.

Your appliance is again operational.



Warning

Do not use abrasive cleaning products or hard metallic scrapers for cleaning the oven's glass door, as they could scuff the surface and cause the glass to shatter.

• SELF-DEGREASING CATALYTIC (enamelled oven) (depending on the model)

- This oven is composed of an enclosure fitted with detachable walls covered with a special microporous enamel (catalytic enamel), which provides its self-degreasing properties. As soon as dirt appears, it spreads out and is dispersed into the microporous holes. It is oxidised on both sides and gradually disappears. The self-degreasing enamel is mainly suited for fatty, rather than sugary substances. This is why the oven floor, which is more subject to sugary overflow, is not covered with this enamel.

We strongly recommend:

- That you do not scrub these catalytic walls with metallic brushes, pointed or sharp instruments.
- That you do not try to clean them with commercial scouring products.
- When grilling food, the temperature of the walls is not always sufficient to eliminate major spattering of fat.

In this case, following cooking, prolong the heating of the oven for 20 to 30 minutes, at the maximum temperature of the chosen sequence.

If traces of spatter remain, they will be reduced during subsequent cooking operations.

• CHANGING THE CATALYTIC PANELS - DISMANTLING THE WIRE SUPPORTS (depending on the model)

Before starting to disassemble the appliance, let it cool down and ensure that it has been disconnected from the power supply.



Warning

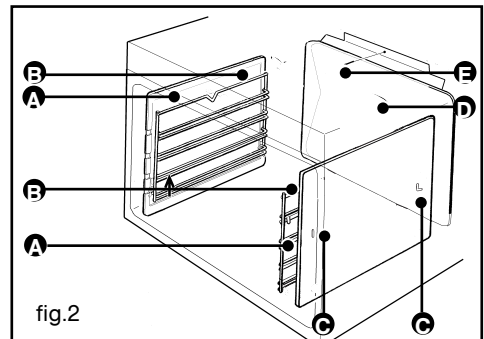
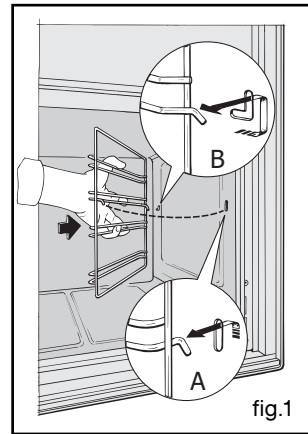
- The oven must be turned off when cleaning inside the cavity.

- Side panels with wire supports:

Unhook the wire shelf support (**B fig.2**) at the front by lifting it (**diagram A fig.1**). Pull the shelf support structure towards you, lifting it so as to unhook the rear attachment (**diagram B fig.1**). Remove it from the 2 holes (**C fig.2**) in the catalytic panel and from the oven cavity. Then remove the catalytic panel (**A fig.2**). Replace the new elements (shelf supports) by performing these operations in reverse.

- Replace the back panel

Completely unscrew the screw (**E fig.2**) located at the top of the back panel (**D fig.2**). Tilt the panel forwards in order to remove it from the oven cavity. Fit the new panel by repeating these steps in reverse.



• **WHAT IS PYROLYSIS? (depending on the model)**



Tip

Your oven is equipped with enamelled wire shelf supports: these need to be removed before running the pyrolysis cycle.



Warning

Remove any cookware, grids and trays from the oven and clean any major spill residue before carrying out the pyrolysis.

- Pyrolysis is a cycle during which the oven cavity is heated to a very high temperature in order to eliminate spatters and spills. Smoke and odours released during pyrolysis are destroyed by moving through a catalyzer.

- Pyrolysis is not necessary after each cooking cycle, simply when the degree of soiling warrants it.

- As a safety measure, the cleaning operation only begins after the door has automatically locked. As soon as the internal temperature of the oven exceeds cooking temperatures, it is impossible to unlock the door even if the "function selector" is set to 0.

• **IN WHAT SITUATIONS SHOULD PYROLYSIS BE USED? (depending on the model)**

If your oven emits smoke during preheating or releases large amounts of smoke during cooking. If your oven releases an unpleasant odour when cooled after various types of cooking (lamb, fish, grills, etc...).

Relatively clean cooking operations	Biscuits, vegetables, pastry, quiches, soufflés...	Splatter-free cooking: pyrolysis is not warranted.
Messy cooking operations	Meat, fish (in a dish), stuffed vegetables.	Pyrolysis may be warranted after every 3 cooking cycles.
Very messy cooking operations	Large cuts of meat on the spit.	Pyrolysis can be performed after one cooking application of this kind, as there is a lot of splattering.



Tip

You should not wait until the oven is overly coated in grease to initiate a cleaning cycle.

• REPLACING THE OVEN LAMP



Warning

Make sure the appliance is disconnected from the power before replacing the lamp in order to avoid the risk of electric shock. Change the lamp only when the appliance has cooled down.

The lamp is accessible:

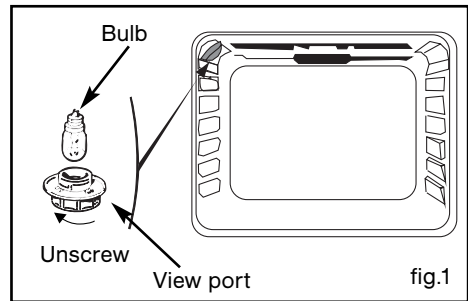
Inside the oven.

The bulb is located on the ceiling of your oven's cavity.

- Unscrew the view port counter-clockwise (fig.1),
- Pull out the bulb.

Bulb specifications:

- 15 W
 - 220-240 V~
 - 300°C
 - E 14 cap.
- Replace the bulb then replace the view port and reconnect your oven.



Tip

To unscrew the view port and the light, use a rubber glove, which will make disassembly easier.

If you have a doubt about the correct functioning of your oven, this does not necessarily mean that there is a malfunction. *In any event, check the following points:*

YOU OBSERVE THAT...	POSSIBLE CAUSES	WHAT SHOULD YOU DO?
The oven is not heating.	<ul style="list-style-type: none"> - The oven is not connected to the power supply. - Your fuse is not working. - The selected temperature is too low. 	<ul style="list-style-type: none"> ➔ Plug in your oven. ➔ Replace the fuse in your electrical set-up and check its capacity (16A). ➔ Increase the selected temperature.
*The padlock is flashing.	<ul style="list-style-type: none"> - Problem with the door's locking mechanism. 	<ul style="list-style-type: none"> ➔ Call the After-Sales Service Department.
The oven light is not working.	<ul style="list-style-type: none"> - The light is not working. - The oven is not connected or the fuse is not working. 	<ul style="list-style-type: none"> ➔ Change the bulb. ➔ Plug in your oven or change the fuse.
*The pyrolysis cleaning cycle does not begin.	<ul style="list-style-type: none"> - The door is not properly closed. - The locking system is defective. 	<ul style="list-style-type: none"> ➔ Verify that the door is locked. ➔ Call the After-Sales Service Department.
Your oven is beeping.	<ul style="list-style-type: none"> - During cooking. - At the end of a cooking cycle. 	<ul style="list-style-type: none"> ➔ The temperature recommended for your choice has been reached. ➔ Your programmed cooking cycle is finished.
The cooling fan continues to operate after the oven stops.	<ul style="list-style-type: none"> - The fan should work for up to an hour after cooking, or when the oven temperature is greater than 125°C. - If it does not stop after 1 hour. 	<ul style="list-style-type: none"> ➔ Open the oven door to cool down the oven faster. ➔ Call the After-Sales Service Department.

* Only for models with the pyrolysis function.



Warning

- Repairs to your appliance should only be performed by professionals. Non-standard repairs may be a source of danger for the user.

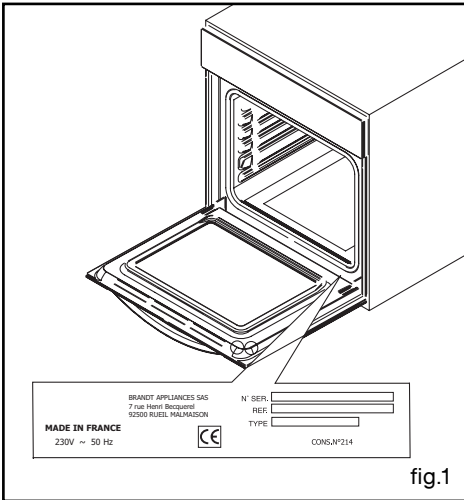


Tip

In all circumstances, if your efforts are not sufficient, contact the After-Sales Service Department without delay.

• SERVICE CALLS

Any repairs that are made to your appliance must be handled by a qualified professional authorised to work on the brand. When you call, mention your appliance's complete reference (model, type, serial number). This information appears on the manufacturer's nameplate (*fig.1*).



GENUINE REPLACEMENT PARTS

During maintenance work, request that only **certified genuine replacement parts are used**.

